
TRILoad DIGITAL METER COMMUNICATIONS GUIDE

DIGITAL ENERGY METER FOR MULTIPLE LOADS IN AN
ELECTRICAL SYSTEM.



Contents

1	Triload Digital meters Modbus Protocol implementation	3
1.1	Modbus Protocol Overview	3
1.2	Input Registers	3
1.2.1	Triload Input Registers	4
1.3	Modbus Protocol Holding Registers and Digital meter set up	6
1.3.1	Triload MODBUS Protocol Holding Register Parameters	6
2	RS485 General Information	9
2.1	Half Duplex	9
2.2	Connecting the Instruments	10
2.3	A and B terminals	10
2.4	Troubleshooting	11
3	MODBUS Protocol General Information	12
3.1	MODBUS Protocol Message Format	12
3.2	Serial Transmission Modes	13
3.3	MODBUS Protocol Message Timing (RTU Mode)	14
3.4	How Characters are Transmitted Serially	14
3.5	Error Checking Methods	15
3.5.1	Parity Checking	15
3.5.2	CRC Checking	15
3.6	Function Codes	16
3.7	IEEE floating point format	16
3.8	MODBUS Protocol Commands supported	18
3.8.1	Read Input Registers	18
3.9	Holding Registers	18
3.9.1	Read Holding Registers	18
3.9.2	Write Holding Registers	19
3.10	Exception Response	19
3.11	Exception Codes	20
3.11.1	Table of Exception Codes	20

1 Triload Digital meters Modbus Protocol implementation

1.1 Modbus Protocol Overview

This section provides basic information for interfacing the Triload Digital meters to a Modbus Protocol network. If background information or more details of the Triload implementation is required please refer to section 2 and 3 of this document.

Triload offers the option of an RS485 communication facility for direct connection to SCADA or other communications systems using the Modbus Protocol RTU slave protocol. The Modbus Protocol establishes the format for the master's query by placing into it the device address, a function code defining the requested action, any data to be sent, and an error checking field. The slave's response message is also constructed using Modbus Protocol. It contains fields confirming the action taken, any data to be returned, and an error-checking field. If an error occurs in receipt of the message, Triload will make no response. If the Triload is unable to perform the requested action, it will construct an error message and send it as the response.

The electrical interface is 2-wire RS485, via 3 screw terminals. Connection should be made using twisted pair screened cable (Typically 22 gauge Belden 8761 or equivalent). All "A" and "B" connections are daisy chained together. The screens should also be connected to the "Gnd" terminal. To avoid the possibility of loop currents, an Earth connection should be made at only one point on the network.

Line topology may or may not require terminating loads depending on the type and length of cable used. Loop (ring) topology does not require any termination load.

The impedance of the termination load should match the impedance of the cable and be at both ends of the line. The cable should be terminated at each end with a 120 ohm (0.25 Watt min.) resistor.

A total maximum length of 3900 feet (1200 metres) is allowed for the RS485 network. A maximum of 32 electrical nodes can be connected, including the controller.

The address of each Triload can be set to any value between 1 and 247. Broadcast mode (address 0) is not supported.

The maximum latency time of an Triload Digital meter is 60ms i.e. this is the amount of time that can pass before the first response character is output. The supervisory programme must allow this period of time to elapse before assuming that the Triload Digital meter is not going to respond.

The format for each byte in RTU mode is:

Coding System:	8-bit per byte
Data Format:	4 bytes (2 registers) per parameter. Floating point format (to IEEE 754) Most significant register first (Default). The default may be changed if required - See Holding Register "Register Order" parameter.
Error Check Field:	2 byte Cyclical Redundancy Check (CRC)
Framing:	1 start bit 8 data bits, least significant bit sent first 1 bit for even/odd parity (or no parity) 1 stop bit if parity is used; 1 or 2 bits if no parity

Data Coding

All data values in the Triload Digital meters are transferred as 32 bit IEEE 754 floating point numbers, (input and output) therefore each Triload Digital meters value is transferred using two MODBUS Protocol registers. All register read requests and data write requests must specify an even number of registers. Attempts to read/write an odd number of registers prompt the Triload Digital meters to return a MODBUS Protocol exception message. However, for compatibility with some SCADA systems, Triload Digital meters will respond to any single input or holding register read with an instrument type specific value

The TRILOAD can transfer a maximum of 40 values in a single transaction, therefore the maximum number of registers requestable is 80. Exceeding this limit prompts the TRILOAD to generate an exception response.

Data Transmission speed is selectable between 2400, 4800, 9600, 19200 and 38400 baud.

1.2 Input Registers

Input registers are used to indicate the present values of the measured and calculated electrical quantities. Each parameter is held in two consecutive 16 bit registers. The following table details the 3X register address, and the values of the address bytes within the message. A tick (√) in the column indicates that the parameter is valid for the particular wiring system. Any parameter with a cross (X) will return the value Zero. Each parameter is held in the 3X registers. Modbus Protocol Function Code 04 is used to access all parameters.

For example, to request:-

Amps 1	Start address	= 0006
	No of registers	= 0002
Amps 2	Start address	= 0008
	No of registers	= 0002

Each request for data must be restricted to 40 parameters or less. Exceeding the 40 parameter limit will cause a Modbus Protocol exception code to be returned.

1.2.1 Triload Input Registers

Address (Register)	Parameter Number	TRI LOAD Input Register Parameter		Modbus Protocol Start Address Hex		3 Ø
		Description	Units	Hi Byte	Lo Byte	4 W
30001	1	Phase 1 line to neutral volts.	Volts	0	0	✓
30003	2	Phase 2 line to neutral volts.	Volts	0	2	✓
30005	3	Phase 3 line to neutral volts.	Volts	0	4	✓
30007	4	Phase 1 current.	Amps	0	6	✓
30009	5	Phase 2 current.	Amps	0	8	✓
30011	6	Phase 3 current.	Amps	0	0A	✓
30013	7	Phase 1 power.	Watts	0	0C	✓
30015	8	Phase 2 power.	Watts	0	0E	✓
30017	9	Phase 3 power.	Watts	0	10	✓
30019	10	Phase 1 volt amps.	VoltAmps	0	12	✓
30021	11	Phase 2 volt amps.	VoltAmps	0	14	✓
30023	12	Phase 3 volt amps.	VoltAmps	0	16	✓
30025	13	Phase 1 volt amps reactive.	VA _r	0	18	✓
30027	14	Phase 2 volt amps reactive.	VA _r	0	1A	✓
30029	15	Phase 3 volt amps reactive.	VA _r	0	1C	✓
30031						
30033						
30035						
30037						
30039						
30041						
30043	23	Average line to neutral volts	Volts	0	2A	✓
30047	24	Average line current.	Amps	0	2E	✓
30049	25	Sum of line currents.	Amps	0	30	✓
30053	27	Total system power.	Watts	0	34	✓
30057	29	Total system volt amps.	VA	0	38	✓
30061	31	Total system VA _r .	VA _r	0	3C	✓
30063	32	Total system power factor (1).	None	0	3E	✓
30067						
30071	36	Frequency of supply voltages.	Hz	0	46	✓
30073	37	Import Wh since last reset (2).	Wh	0	48	✓
30075	38	Export Wh since last reset (2).	Wh	0	4A	✓
30077	39	Import VA _r h since last reset (2).	VA _r h	0	4C	✓
30079	40	Export VA _r h since last reset (2).	VA _r h	0	4E	✓
30081	41	VAh since last reset (2).	VAh	0	50	✓
30083	42	Ah since last reset(3).	Ah	0	52	✓
30085	43	Total system power demand (4).	Watts	0	54	✓
30087	44	Maximum total system power demand (4).	Watts	0	56	✓

Address (Register)	Parameter Number	TRI LOAD Input Register Parameter		Modbus Protocol Start Address Hex		3 Ø
		Description	Units	Hi Byte	Lo Byte	4 W
30101	51	Total system VA demand.	VA	0	64	✓
30103	52	Maximum total system VA demand.	VA	0	66	✓
30105						
30107						
30201	101	Voltage line 1 to line 2.	Volts	00	C8	✓
30203	102	Voltage line 2 to line 3.	Volts	00	CA	✓
30205	103	Voltage line 3 to line 1.	Volts	00	CC	✓
30207	104	Average line to line voltage.	Volts	00	CE	✓
30209	105	Maximum line 1 to line 2 voltage.	Volts	00	D0	✓
30211	106	Minimum line 1 to line 2 voltage.	Volts	00	D2	✓
30213	107	Maximum line 2 to line 3 voltage.	Volts	00	D4	✓
30215	108	Minimum line 2 to line 3 voltage.	Volts	00	D6	✓
30217	109	Maximum line 3 to line 1 voltage.	Volts	00	D8	✓
30219	110	Minimum line 3 to line 1 voltage.	Volts	00	DA	✓
30221	111	Maximum average line to line voltage.	Volts	00	DC	✓
30223	112	Minimum average line to line voltage.	Volts	00	DE	✓
30251						
30255	128	-Total system power factor (5).	None	00	FE	✓
30259	130	Phase 1 current demand	Amps	01	02	✓
30261	131	Phase 2 current demand	Amps	01	04	✓
30263	132	Phase 3 current demand	Amps	01	06	✓
30265	133	Maximum phase 1 current demand.	Amps	01	08	✓
30267	134	Maximum phase 2 current demand.	Amps	01	0A	✓
30269	135	Maximum phase 3 current demand.	Amps	01	0C	✓
30335						
30337						
30339						
30341						

The TRI LOAD Modbus table to be repeated for circuits, Lighting, Services and System. The starting address of each table will be offset from the previous one by address count of 2000, for example
Phase 1 Line to neutral volts (Power) Address (Register) = 30001
Phase 1 Line to neutral volts (Lighting) Address (Register) = 32001
Phase 1 Line to neutral volts (Services) Address (Register) = 34001
Phase 1 Line to neutral volts (System) Address (Register) = 36001

Notes:

✓ Parameter available.

1. The power factor has its sign adjusted to indicate the nature of the load. Positive for capacitive and negative for inductive.
2. There is a user option to select either "unit" or "kilo" for the energy prefix.
3. The same user option as in 2 above gives a prefix of none or k for Amphours
4. The power sum demand calculation is for import power only
5. The negative total system power factor is a sign inverted version of parameter 32, the magnitude is the same as parameter 32.
6. There is a user option to select None, or k for the energy prefix.

1.3 Modbus Protocol Holding Registers and Digital meter set up

Holding registers are used to store and display instrument configuration settings. All holding registers not listed in the table below should be considered as reserved for manufacturer use and no attempt should be made to modify their values.

The holding register parameters may be viewed or changed using the Modbus Protocol. Each parameter is held in two consecutive 4X registers. Modbus Protocol Function Code 03 is used to read the parameter and Function Code 16 is used to write. Write to only one parameter per message.

1.3.1 Triload MODBUS Protocol Holding Register Parameters

Address (Register)	Parameter Number	Parameter	Start Address (Hex)		Valid Range	Mode
			High Byte	Low Byte		
40001	1	Demand Time	00	00	Read minutes into first demand period. When Demand Time reaches Demand Period then the demand values are valid.	ro
40003	2	Demand Period	00	02	Read selected demand period in minutes. Write new demand period 5, 8, 10, 15, 20, 30* or 60 minutes.	r/w
40015	8	Password Lock	00	0E	Read password lock flag, 0: locked, 1: unlocked. Reading also resets the 1 minute password timeout. Write any value to lock instrument.	r/w
40019	10	Modbus Set-up	00	12	Read Modbus set-up code. Write Modbus set-up code. 0: 1 stop bit no parity*. 1: 1 stop bit even parity. 2: 1 stop bit odd parity. 3: 2 stop bits no parity. Change effective after next instrument reset.	r/w
40021	11	Modbus Node	00	14	Read Modbus node number. Write Modbus node number, 1* to 247. Change effective after next instrument reset.	r/w
40025	13	Password Input	00	18	Read resets the 1 minute password timeout.	r/w
					Write password to unlock, 0000*. Write new 4 digit password as 1NNNN. e.g. to change password to 9876 write 19876.	
40029	15	ModBus Baud Rate	00	1C	Read the Modbus baud rate code. Write the Modbus baud rate code. 0: 2400 baud. 1: 4800 baud. 2: 9600 baud*. 3: 19200 baud. 4: 38400 baud. Change effective after next instrument reset.	r/w
40031	16	Energy Prefix	00	1E	Read energy prefix code. Write energy prefix code. 0: none*, e.g. Wh. 1: kilo, e.g. kWh.	r/wp
40033	17	Low Power Flag	00	20	Read low power flag. Write low power flag. 0: low power limit off. 1: low power limit on*.	r/wp

40037	19	System Power	00	24	Read the total nominal system power. i.e. System Volts x CT1 Rating x Phases.	ro
40039	20	System Mode	00	26	Read system mode code. Write system mode code. 0: Dual load 1. 1: Tri load 1*. 2: Dual load 2. 3: Tri load 2. 4: Dual load 3. 5:Tri load 3.	r/wp
40041	21	Modbus Order	00	28	Read Modbus register order. 1: Normal order*. Write value 2141.0 to set correct order.	r/w
40059	30	CT1 Current Ratio	00	3A	Read the current ratio. Write the required current ratio. 1 to 9999 Amps.	r/w
40061	31	CT2 Current Ratio	00	3C	Read the current ratio. Write the required current ratio. 1 to 9999 Amps.	r/w
40063	32	CT3 Current Ratio	00	3E	Read the current ratio. Write the required current ratio. 1 to 9999 Amps.	r/w
40105	53	Dis Power and Light	00	68	Write the selected screen enunciators for the two channels. 0 = Load1 and Load2. 1 = Power and Lighting.	r/w
40107	54	Cable Entry Selection	00	6A	Write the selected cable entry selection. 0 = Bottom entry. 1 = Top entry.	r/w
40217	109	Resets	00	D8	Read zero. Write data reset code. 1: Reset 'Power' energy readings. 2: Reset 'Lighting' energy readings. 3: Reset 'Services' energy readings. 4: Reset 'Total' energy readings. 5: Reset all energy readings. 6: Reset 'Power' demand maximums. 7: Reset 'Lighting' demand maximums. 8: Reset 'Services' demand maximums. 9: Reset 'Total' demand maximums. 10: Reset all demand maximums. 11: Reset all demand maximums and demand timing.	r/w
					Write instrument reset code. 12: Reset instrument.	wp
40231	116	Project Code	00	00	Read project code, 2261.	ro
40233	117	Product Code	00	00	Read product code, 4706.	ro
40235	118	Firmware Version	00	EA	Read firmware version number.	ro
40237	119	Firmware Build	00	EC	Read firmware build number.	ro
40239	120	Modification Issue	00	EE	Read modification issue number, 0*.	ro
40241	121	Modification Number	00	F0	Read modification number, 0*.	ro
40269	135	Low Volts Limit	01	0C	Read the low voltage limit proportion. Write the low voltage limit proportion. Range 0.0 to 0.05, 0.01*.	r/wp
40271	136	Low Amps Limit	01	0E	Read the low current limit proportion. Write the low current limit proportion. Range 0.0 to 0.05, 0.008*.	r/wp
40275	138	Smoothing	01	12	Read the parameter smoothing limit.	r/wp

		Limit			Write the parameter smoothing limit. Range 0.0 to 1.0, 0.001*.	
40277	139	Smoothing Factor	01	14	Read the parameter smoothing factor. Write the parameter smoothing factor. Range 0.0 to 1.0, 0.002*.	r/wp
40283	142	Status Flag	01	1A	Read the instrument status flag. 0: Instrument status good. 1: Instrument status error.	ro
40285	143	Lowest VA for Power Factor calculations	01	1C	Read lowest VA proportion for Power Factor calculation. Write lowest VA proportion for Power Factor calculation. Range 0.0 to 0.05, 0.03*.	r/wp
40287	144	Low Power Limit	01	1E	Read the low power limit. Write the low power limit. Range 0.0 to 0.05, 0.01*.	r/wp
40319	160	Status 1	01	3E	Read the first part of instrument status. Convert to hex and look-up error in upper line of the instrument status table.	ro
40321	161	Status 2	01	40	Read the second part of instrument status. Convert to hex and look-up error in lower line of the instrument status table.	ro

Note, default register values are marked thus *.

Register Order controls the order in which the Triload Digital meter receives or sends floating-point numbers: - normal or reversed register order. In normal mode, the two registers that make up a floating point number are sent most significant register first. In reversed register mode, the two registers that make up a floating point number are sent least significant register first. To set the mode, write the value '2141.0' into this register - the instrument will detect the order used to send this value and set that order for all Modbus Protocol transactions involving floating point numbers.

It is perfectly feasible to change Triload Digital meters set-up using a general purpose Modbus Protocol master, but often easier to use the Triload Digital meter display or Triload Digital meter configurator software, especially for gaining password protected access. The Triload Digital meter configurator software has facilities to store configurations to disk for later retrieval and rapid set up of similarly configured products.

Password

Some of the parameters described above are password protected and thus require the password to be entered at the Password register before they can be changed. The default password is 0000. When the password has been entered it will timeout in one minute unless the Password or Password Lock register is read to reset the timeout timer. Once the required changes have been made to the protected parameters the password lock should be reapplied by

- a) allowing the password to timeout, or
- b) writing any value to the Password Lock register, or
- c) power cycling the instrument.

2 RS485 General Information

RS485 or EIA (Electronic Industries Association) RS485 is a balanced line, half-duplex transmission system allowing transmission distances of up to 1.2 km. The following table summarises the RS-485 Standard:

PARAMETER	
Mode of Operation	Differential
Number of Drivers and Receivers	32 Drivers, 32 Receivers
Maximum Cable Length	1200 m
Maximum Data Rate	10 M baud
Maximum Common Mode Voltage	12 V to -7 V
Minimum Driver Output Levels (Loaded)	+/- 1.5 V
Minimum Driver Output Levels (Unloaded)	+/- 6 V
Drive Load	Minimum 60 ohms
Driver Output Short Circuit Current Limit	150 mA to Gnd, 250 mA to 12 V 250 mA to -7 V
Minimum Receiver Input Resistance	12 kohms
Receiver Sensitivity	+/- 200 mV

Further information relating to RS485 may be obtained from either the EIA or the various RS485 device manufacturers, for example Texas Instruments or Maxim Semiconductors. This list is not exhaustive.

2.1 Half Duplex

Half duplex is a system in which one or more transmitters (talkers) can communicate with one or more receivers (listeners) with only one transmitter being active at any one time. For example, a "conversation" is started by asking a question, the person who has asked the question will then listen until he gets an answer or until he decides that the individual who was asked the question is not going to reply.

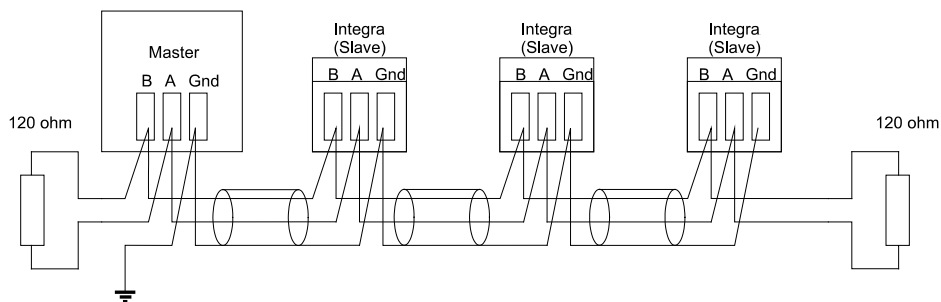
In a 485 network the "master" will start the "conversation" with a "query" addressed to a specific "slave", the "master" will then listen for the "slave's" response. If the "slave" does not respond within a pre-defined period, (set by control software in the "master"), the "master" will abandon the "conversation".

2.2 Connecting the Instruments

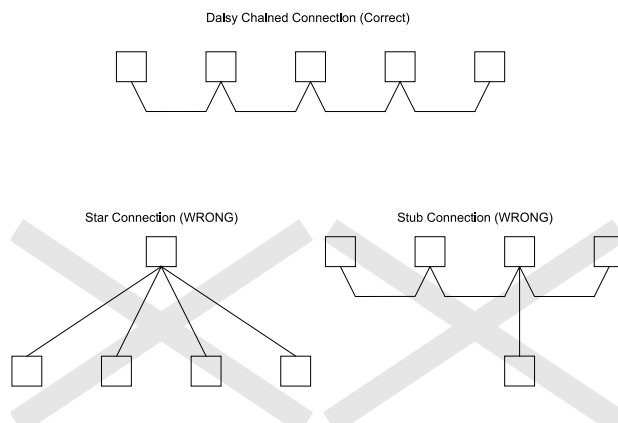
If connecting an RS485 network to a PC use caution if contemplating the use of an RS232 to 485 converter together with a USB to RS485 adapter. Consider either an RS232 to RS485 converter, connected directly to a suitable RS232 jack on the PC, or use a USB to RS485 converter or, for desktop PCs a suitable plug in RS485 card. (*Many 232:485 converters draw power from the RS232 socket. If using a USB to RS232 adapter, the adapter may not have enough power available to run the 232:485 converter.*)

Screened twisted pair cable should be used. For longer cable runs or noisier environments, use of a cable specifically designed for RS485 may be necessary to achieve optimum performance. All "A" terminals should be connected together using one conductor of the twisted pair cable, all "B" terminals should be connected together using the other conductor in the pair. The cable screen should be connected to the "Gnd" terminals.

A Belden 9841 (Single pair) or 9842 (Two pair) or similar cable with a characteristic impedance of 120 ohms is recommended. The cable should be terminated at each end with a 120 ohm, quarter watt (or greater) resistor. Note: Diagram shows wiring topology only. Always follow terminal identification on Triload Digital meter product label.

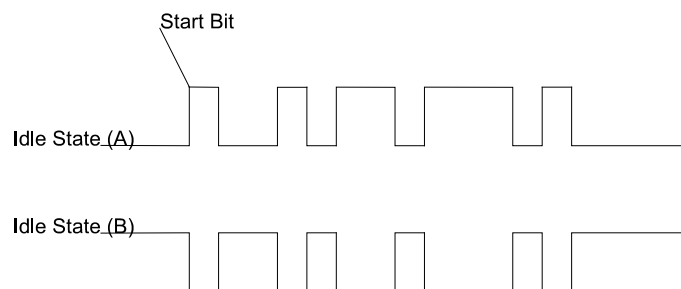


There must be no more than two wires connected to each terminal, this ensures that a "Daisy Chain or "straight line" configuration is used. A "Star" or a network with "Stubs (Tees)" is not recommended as reflections within the cable may result in data corruption.



2.3 A and B terminals

The A and B connections to the Triload Digital meter products can be identified by the signals present on them whilst there is activity on the RS485 bus:

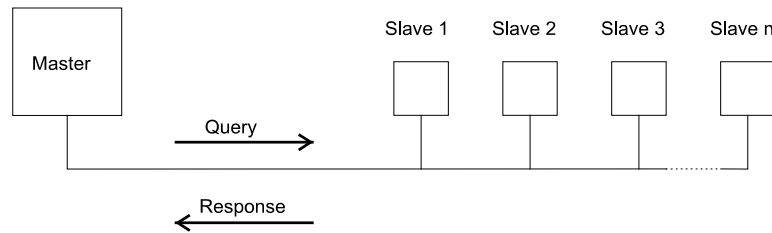


2.4 Troubleshooting

- Start with a simple network, one master and one slave. With Triload Digital meters product this is easily achieved as the network can be left intact whilst individual instruments are disconnected by removing the RS485 connection from the rear of the instrument.
- Check that the network is connected together correctly. That is all of the “A’s” are connected together, and all of the “B’s” are connected together, and also that all of the “Gnd’s” are connected together.
- Confirm that the data “transmitted” onto the RS485 is not echoed back to the PC on the RS232 lines. (This facility is sometimes a link option within the converter). Many PC based packages seem to not perform well when they receive an echo of the message they are transmitting. SpecView and PCView (PC software) with a RS232 to RS485 converter are believed to include this feature.
- Confirm that the Address of the instrument is the same as the “master” is expecting.
- If the “network” operates with one instrument but not more than one check that each instrument has a unique address.
- Each request for data must be restricted to 40 parameters. Violating this requirement will impact the performance of the instrument and may result in a response time in excess of the specification.
- Check that the MODBUS Protocol mode (RTU or ASCII) and serial parameters (baud rate, number of data bits, number of stop bits and parity) are the same for all devices on the network.
- Check that the “master” is requesting floating-point variables (pairs of registers placed on floating point boundaries) and is not “splitting” floating point variables.
- Check that the floating-point byte order expected by the “master” is the same as that used by Triload Digital meters products. (PCView and Citect packages can use a number of formats including that supported by Triload Digital meter).
- If possible obtain a second RS232 to RS485 converter and connect it between the RS485 bus and an additional PC equipped with a software package, which can display the data on the bus. Check for the existence of valid requests.

3 MODBUS Protocol General Information

Communication on a MODBUS Protocol Network is initiated (started) by a “Master” sending a query to a “Slave”. The “Slave”, which is constantly monitoring the network for queries addressed to it, will respond by performing the requested action and sending a response back to the “Master”. Only the “Master” can initiate a query.



In the MODBUS Protocol the master can address individual slaves, or, using a special “Broadcast” address, can initiate a broadcast message to all slaves. The Triload Digital meter does not support the broadcast address.

3.1 MODBUS Protocol Message Format

The MODBUS Protocol defines the format for the master’s query and the slave’s response.

The query contains the device (or broadcast) address, a function code defining the requested action, any data to be sent, and an error-checking field.

The response contains fields confirming the action taken, any data to be returned, and an error-checking field. If an error occurred in receipt of the message then the message is ignored, if the slave is unable to perform the requested action, then it will construct an error message and send it as its response.

The MODBUS Protocol functions used by the Triload Digital meter copy 16 bit register values between master and slaves. However, the data used by the Triload Digital meter is in 32 bit IEEE 754 floating point format. Thus each instrument parameter is conceptually held in two adjacent MODBUS Protocol registers.

Query

The following example illustrates a request for a single floating point parameter i.e. two 16-bit Modbus Protocol Registers.

First Byte						Last Byte	
Slave Address	Function Code	Start Address (Hi)	Start Address (Lo)	Number of Points (Hi)	Number of Points (Lo)	Error Check (Lo)	Error Check (Hi)

Slave Address: 8-bit value representing the slave being addressed (1 to 247), 0 is reserved for the broadcast address. The Triload Digital meter do not support the broadcast address.

Function Code: 8-bit telling the addressed slave what action is to be performed. (3, 4, 8 or 16 are valid for Triload Digital meter)

Start Address (Hi): The top (most significant) eight bits of a 16-bit number specifying the start address of the data being requested.

Start Address (Lo): The bottom (least significant) eight bits of a 16-bit number specifying the start address of the data being requested. As registers are used in pairs and start at zero, then this must be an even number.

Number of Points (Hi): The top (most significant) eight bits of a 16-bit number specifying the number of registers being requested.

Number of Points (Lo): The bottom (least significant) eight bits of a 16-bit number specifying the number of registers being requested. As registers are used in pairs, then this must be an even number.

Error Check (Lo): The bottom (least significant) eight bits of a 16-bit number representing the error check value.

Error Check (Hi): The top (most significant) eight bits of a 16-bit number representing the error check value.

Response

The example illustrates the normal response to a request for a single floating point parameter i.e. two 16-bit Modbus Protocol Registers.

First Byte							Last Byte	
Slave Address	Function Code	Byte Count	First Register (Hi)	First Register (Lo)	Second Register (Hi)	Second Register (Lo)	Error Check (Lo)	Error Check (Hi)

- Slave Address: 8-bit value representing the address of slave that is responding.
- Function Code: 8-bit value which, when a copy of the function code in the query, indicates that the slave recognised the query and has responded. (See also Exception Response).
- Byte Count: 8-bit value indicating the number of data bytes contained within this response
- First Register (Hi)*: The top (most significant) eight bits of a 16-bit number representing the first register requested in the query.
- First Register (Lo)*: The bottom (least significant) eight bits of a 16-bit number representing the first register requested in the query.
- Second Register (Hi)*: The top (most significant) eight bits of a 16-bit number representing the second register requested in the query.
- Second Register (Lo)*: The bottom (least significant) eight bits of a 16-bit number representing the second register requested in the query.
- Error Check (Lo): The bottom (least significant) eight bits of a 16-bit number representing the error check value.
- Error Check (Hi): The top (most significant) eight bits of a 16-bit number representing the error check value.

* These four bytes together give the value of the floating point parameter requested.

Exception Response

If an error is detected in the content of the query (excluding parity errors and Error Check mismatch), then an error response (called an exception response), will be sent to the master. The exception response is identified by the function code being a copy of the query function code but with the most-significant bit set. The data contained in an exception response is a single byte error code.

First Byte		Last Byte		
Slave Address	Function Code	Error Code	Error Check (Lo)	Error Check (Hi)

- Slave Address: 8-bit value representing the address of slave that is responding.
- Function Code: 8 bit value which is the function code in the query OR'ed with 80 hex, indicating that the slave either does not recognise the query or could not carry out the action requested.
- Error Code: 8-bit value indicating the nature of the exception detected. (See "Table Of Exception Codes" later).
- Error Check (Lo): The bottom (least significant) eight bits of a 16-bit number representing the error check value.
- Error Check (Hi): The top (most significant) eight bits of a 16-bit number representing the error check value.

3.2 Serial Transmission Modes

There are two MODBUS Protocol serial transmission modes, ASCII and RTU. Triload Digital meter do not support the ASCII mode.

In RTU (Remote Terminal Unit) mode, each 8-bit byte is used in the full binary range and is not limited to ASCII characters as in ASCII Mode. The greater data density allows better data throughput for the same

baud rate, however each message must be transmitted in a continuous stream. This is very unlikely to be a problem for modern communications equipment.

The format for each byte in RTU mode is:

Coding System:	Full 8-bit binary per byte. In this document, the value of each byte will be shown as two hexadecimal characters each in the range 0-9 or A-F.
Line Protocol:	1 start bit, followed by the 8 data bits. The 8 data bits are sent with least significant bit first.
User Option Of Parity And Stop Bits:	No Parity and 2 Stop Bits No Parity and 1 Stop Bit Even Parity and 1 Stop Bit. Odd Parity and 1 Stop Bit.
User Option of Baud Rate:	2400 ; 4800 ; 9600 ; 19200 ; 38400

The baud rate, parity and stop bits must be selected to match the master's settings.

3.3 MODBUS Protocol Message Timing (RTU Mode)

A MODBUS Protocol message has defined beginning and ending points. The receiving devices recognises the start of the message, reads the "Slave Address" to determine if they are being addressed and knowing when the message is completed they can use the Error Check bytes and parity bits to confirm the integrity of the message. If the Error Check or parity fails then the message is discarded.

In RTU mode, messages starts with a silent interval of at least 3.5 character times.

The first byte of a message is then transmitted, the device address.

Master and slave devices monitor the network continuously, including during the 'silent' intervals. When the first byte (the address byte) is received, each device checks it to find out if it is the addressed device. If the device determines that it is the one being addressed it records the whole message and acts accordingly, if it is not being addressed it continues monitoring for the next message.

Following the last transmitted byte, a silent interval of at least 3.5 character times marks the end of the message. A new message can begin after this interval.

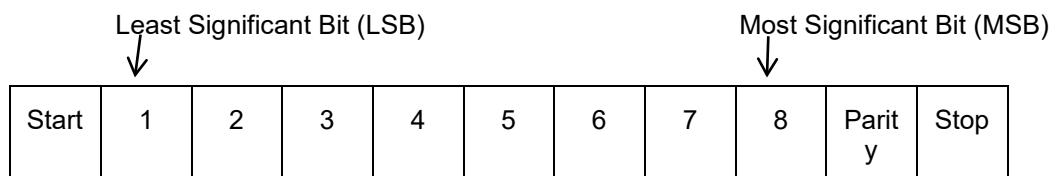
The entire message must be transmitted as a continuous stream. If a silent interval of more than 1.5 character times occurs before completion of the message, the receiving device flushes the incomplete message and assumes that the next byte will be the address byte of a new message.

Similarly, if a new message begins earlier than 3.5 character times following a previous message, the receiving device may consider it a continuation of the previous message. This will result in an error, as the value in the final CRC field will not be valid for the combined messages.

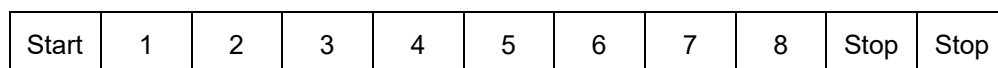
3.4 How Characters are Transmitted Serially

When messages are transmitted on standard MODBUS Protocol serial networks each byte is sent in this order (left to right):

Transmit Character = Start Bit + Data Byte + Parity Bit + 1 Stop Bit (11 bits total):

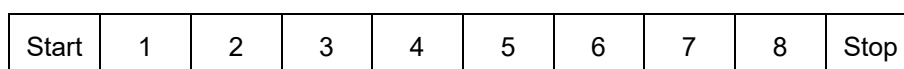


Transmit Character = Start Bit + Data Byte + 2 Stop Bits (11 bits total):

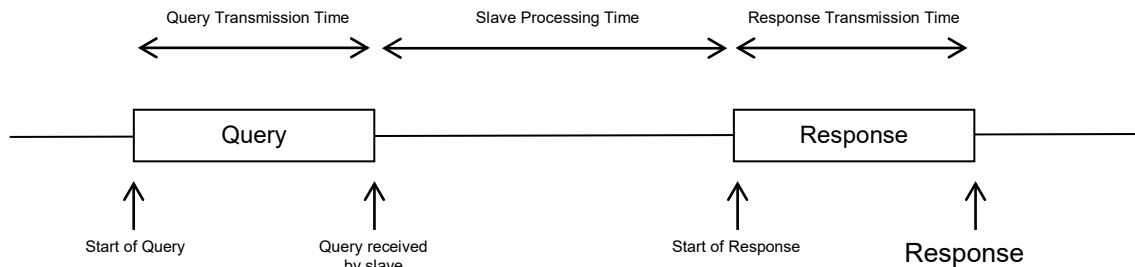


Triload Digital meter additionally support No parity, One stop bit.

Transmit Character = Start Bit + Data Byte + 1 Stop Bit (10 bits total):



The master is configured by the user to wait for a predetermined timeout interval. The master will wait for this period of time before deciding that the slave is not going to respond and that the transaction should be aborted. Care must be taken when determining the timeout period from both the master and the slaves' specifications. The slave may define the 'response time' as being the period from the receipt of the last bit of the query to the transmission of the first bit of the response. The master may define the 'response time' as period between transmitting the first bit of the query to the receipt of the last bit of the response. It can be seen that message transmission time, which is a function of the baud rate, must be included in the timeout calculation.



3.5 Error Checking Methods

Standard MODBUS Protocol serial networks use two error checking processes, the error check bytes mentioned above check message integrity whilst Parity checking (even or odd) can be applied to each byte in the message.

3.5.1 Parity Checking

If parity checking is enabled – by selecting either Even or Odd Parity - the quantity of “1’s” will be counted in the data portion of each transmit character. The parity bit will then be set to a 0 or 1 to result in an Even or Odd total of “1’s”.

Note that parity checking can only detect an error if an odd number of bits are picked up or dropped in a transmit character during transmission, if for example two 1’s are corrupted to 0’s the parity check will not find the error.

If No Parity checking is specified, no parity bit is transmitted and no parity check can be made. Also, if No Parity checking is specified and one stop bit is selected the transmit character is effectively shortened by one bit.

3.5.2 CRC Checking

The error check bytes of the MODBUS Protocol messages contain a Cyclical Redundancy Check (CRC) value that is used to check the content of the entire message. The error check bytes must always be present to comply with the MODBUS Protocol, there is no option to disable it.

The error check bytes represent a 16-bit binary value, calculated by the transmitting device. The receiving device must recalculate the CRC during receipt of the message and compare the calculated value to the value received in the error check bytes. If the two values are not equal, the message should be discarded. The error check calculation is started by first pre-loading a 16-bit register to all 1’s (i.e. Hex (FFFF)) each successive 8-bit byte of the message is applied to the current contents of the register. Note: only the eight bits of data in each transmit character are used for generating the CRC, start bits, stop bits and the parity bit, if one is used, are not included in the error check bytes.

During generation of the error check bytes, each 8-bit message byte is exclusive OR’ed with the lower half of the 16 bit register. The register is then shifted eight times in the direction of the least significant bit (LSB), with a zero filled into the most significant bit (MSB) position. After each shift the LSB prior to the shift is extracted and examined. If the LSB was a 1, the register is then exclusive OR’ed with a pre-set, fixed value. If the LSB was a 0, no exclusive OR takes place.

This process is repeated until all eight shifts have been performed. After the last shift, the next 8-bit message byte is exclusive OR’ed with the lower half of the 16 bit register, and the process repeated. The final contents of the register, after all the bytes of the message have been applied, is the error check value. In the following pseudo code “ErrorWord” is a 16-bit value representing the error check values.

```

BEGIN
  ErrorWord = Hex (FFFF)
  FOR Each byte in message
    ErrorWord = ErrorWord XOR byte in message
    FOR Each bit in byte
      LSB = ErrorWord AND Hex (0001)
      IF LSB = 1 THEN ErrorWord = ErrorWord – 1
      ErrorWord = ErrorWord / 2
      IF LSB = 1 THEN ErrorWord = ErrorWord XOR Hex (A001)
    NEXT bit in byte
  NEXT Byte in message
END

```

3.6 Function Codes

The function code part of a MODBUS Protocol message defines the action to be taken by the slave. Triload Digital meter support the following function codes:

Code	MODBUS Protocol name	Description
03	Read Holding Registers	Read the contents of read/write location (4X references)
04	Read Input Registers	Read the contents of read only location (3X references)
08	Diagnostics	Only sub-function zero is supported. This returns the data element of the query unchanged.
16	Pre-set Multiple Registers	Set the contents of read/write location (4X references)

3.7 IEEE floating point format

The MODBUS Protocol defines 16 bit “Registers” for the data variables. A 16-bit number would prove too restrictive, for energy parameters for example, as the maximum range of a 16-bit number is 65535. However, there are a number of approaches that have been adopted to overcome this restriction. Triload Digital meter use two consecutive registers to represent a floating-point number, effectively expanding the range to +/- 1×10^{37} .

The values produced by Triload Digital meter can be used directly without any requirement to “scale” the values, for example, the units for the voltage parameters are volts, the units for the power parameters are watts etc.

What is a floating point Number?

A floating-point number is a number with two parts, a mantissa and an exponent and is written in the form 1.234×10^5 . The mantissa (1.234 in this example) must have the decimal point moved to the right with the number of places determined by the exponent (5 places in this example) i.e. $1.234 \times 10^5 = 123400$. If the exponent is negative the decimal point is moved to the left.

What is an IEEE 754 format floating-point number?

An IEEE 754 floating point number is the binary equivalent of the decimal floating-point number shown above. The major difference being that the most significant bit of the mantissa is always arranged to be 1 and is thus not needed in the representation of the number. The process by which the most significant bit is arranged to be 1 is called normalisation, the mantissa is thus referred to as a “normal mantissa”. During normalisation the bits in the mantissa are shifted to the left whilst the exponent is decremented until the most significant bit of the mantissa is one. In the special case where the number is zero both mantissa and exponent are zero.

The bits in an IEEE 754 format have the following significance:

Data Hi Reg, Hi Byte.	Data Hi Reg, Lo Byte.	Data Lo Reg, Hi Byte.	Data Lo Reg, Lo Byte.
SEEE EEEE	EMMM MMMM	MMMM MMMM	MMMM MMMM

Where:

S represents the sign bit where 1 is negative and 0 is positive

E is the 8-bit exponent with an offset of 127 i.e. an exponent of zero is represented by 127, an exponent of 1 by 128 etc.

M is the 23-bit normal mantissa. The 24th bit is always 1 and, therefore, is not stored.

Using the above format the floating point number 240.5 is represented as 43708000 hex:

Data Hi Reg, Hi Byte	Data Hi Reg, Lo Byte	Data Lo Reg, Hi Byte	Data Lo Reg, Lo Byte
43	70	80	00

The following example demonstrates how to convert IEEE 754 floating-point numbers from their hexadecimal form to decimal form. For this example, we will use the value for 240.5 shown above. Note that the floating-point storage representation is not an intuitive format. To convert this value to decimal, the bits should be separated as specified in the floating-point number storage format table shown above. For example:

Data Hi Reg, Hi Byte	Data Hi Reg, Lo Byte	Data Lo Reg, Hi Byte	Data Lo Reg, Lo Byte
0100 0011	0111 0000	1000 0000	0000 0000

From this you can determine the following information.

- The sign bit is 0, indicating a positive number.
- The exponent value is 10000110 binary or 134 decimal. Subtracting 127 from 134 leaves 7, which is the actual exponent.
- The mantissa appears as the binary number 11100001000000000000000

There is an implied binary point at the left of the mantissa that is always preceded by a 1. This bit is not stored in the hexadecimal representation of the floating-point number. Adding 1 and the binary point to the beginning of the mantissa gives the following:

1.111000010000000000000000

Now, we adjust the mantissa for the exponent. A negative exponent moves the binary point to the left. A positive exponent moves the binary point to the right. Because the exponent is 7, the mantissa is adjusted as follows:

11110000.1000000000000000

Finally, we have a binary floating-point number. Binary bits that are to the left of the binary point represent the power of two corresponding to their position. For example, 11110000 represents $(1 \times 2^7) + (1 \times 2^6) + (1 \times 2^5) + (1 \times 2^4) + (0 \times 2^3) + (0 \times 2^2) + (0 \times 2^1) + (0 \times 2^0) = 240$.

Binary bits that are to the right of the binary point also represent a power of 2 corresponding to their position. As the digits are to the right of the binary point the powers are negative. For example: .100 represents $(1 \times 2^{-1}) + (0 \times 2^{-2}) + (0 \times 2^{-3}) + \dots$ which equals 0.5.

Adding these two numbers together and making reference to the sign bit produces the number +240.5.

For each floating point value requested two MODBUS Protocol registers (four bytes) must be requested.

The received order and significance of these four bytes for Triload Digital meter is shown below:

Data Hi Reg, Hi Byte	Data Hi Reg, Lo Byte	Data Lo Reg, Hi Byte	Data Lo Reg, Lo Byte
-------------------------	-------------------------	-------------------------	-------------------------

3.8 MODBUS Protocol Commands supported

All Triload Digital meters support the “Read Input Register” (3X registers), the “Read Holding Register” (4X registers) and the “Pre-set Multiple Registers” (write 4X registers) commands of the MODBUS Protocol RTU protocol. All values stored and returned are in floating point format to IEEE 754 with the most significant register first.

3.8.1 Read Input Registers

MODBUS Protocol code 04 reads the contents of the 3X registers.

Example

The following query will request ‘Volts 1’ from an instrument with node address 1:

Field Name	Example (Hex)
Slave Address	01
Function	04
Starting Address High	00
Starting Address Low	00
Number of Points High	00
Number of Points Low	02
Error Check Low	71
Error Check High	CB

Note: Data must be requested in register pairs i.e. the “Starting Address” and the “Number of Points” must be even numbers to request a floating point variable. If the “Starting Address” or the “Number of points” is odd then the query will fall in the middle of a floating point variable the product will return an error message. The following response returns the contents of Volts 1 as 230.2. But see also “Exception Response” later.

Field Name	Example (Hex)
Slave Address	01
Function	04
Byte Count	04
Data, High Reg, High Byte	43
Data, High Reg, Low Byte	66
Data, Low Reg, High Byte	33
Data, Low Reg, Low Byte	34
Error Check Low	1B
Error Check High	38

3.9 Holding Registers

3.9.1 Read Holding Registers

MODBUS Protocol code 03 reads the contents of the 4X registers.

Example

The following query will request the prevailing ‘Demand Time’:

Field Name	Example (Hex)
Slave Address	01
Function	03
Starting Address High	00
Starting Address Low	00
Number of Points High	00
Number of Points Low	02
Error Check Low	C4
Error Check High	0B

Note: Data must be requested in register pairs i.e. the “Starting Address” and the “Number of Points” must be even numbers to request a floating point variable. If the “Starting Address” or the “Number of points” is odd then the query will fall in the middle of a floating point variable the product will return an error message.

The following response returns the contents of Demand Time as 1, But see also “Exception Response” later.

Field Name	Example (Hex)
Slave Address	01
Function	03
Byte Count	04
Data, High Reg, High Byte	3F
Data, High Reg, Low Byte	80
Data, Low Reg, High Byte	00
Data, Low Reg, Low Byte	00
Error Check Low	F7
Error Check High	CF

3.9.2 Write Holding Registers

MODBUS Protocol code 10 (16 decimal) writes the contents of the 4X registers.

Example

The following query will set the Demand Period to 60, which effectively resets the Demand Time:

Field Name	Example (Hex)
Slave Address	01
Function	10
Starting Address High	00
Starting Address Low	02
Number of Registers High	00
Number of Registers Low	02
Byte Count	04
Data, High Reg, High Byte	42
Data, High Reg, Low Byte	70
Data, Low Reg, High Byte	00
Data, Low Reg, Low Byte	00
Error Check Low	67
Error Check High	D5

Note: Data must be written in register pairs i.e. the “Starting Address” and the “Number of Points” must be even numbers to write a floating point variable. If the “Starting Address” or the “Number of points” is odd then the query will fall in the middle of a floating point variable the product will return an error message. In general only one floating point value can be written per query

The following response indicates that the write has been successful. But see also “Exception Response” later.

Field Name	Example (Hex)
Slave Address	01
Function	10
Starting Address High	00
Starting Address Low	02
Number of Registers High	00
Number of Registers Low	02
Error Check Low	E0
Error Check High	08

3.10 Exception Response

If the slave in the “Write Holding Register” example above, did not support that function then it would have replied with an Exception Response as shown below. The exception function code is the original function code from the query with the MSB set i.e. it has had 80 hex logically ORed with it. The exception code

indicates the reason for the exception. The slave will not respond at all if there is an error with the parity or CRC of the query. However, if the slave can not process the query then it will respond with an exception. In this case a code 01, the requested function is not support by this slave.

Field Name	Example (Hex)
Slave Address	01
Function	10 OR 80 = 90
Exception Code	01
Error Check Low	8D
Error Check High	C0

3.11 Exception Codes

3.11.1 Table of Exception Codes

Triload Digital meters support the following exception codes:

Exception Code	MODBUS Protocol name	Description
01	Illegal Function	The function code is not supported by the product
02	Illegal Data Address	Attempt to access an invalid address
03	Illegal Data Value	Attempt to set a floating point variable to an invalid value

crompton-instruments.com

©2017 TE Connectivity Ltd. family of companies. All Rights Reserved.

TE Connectivity and TE connectivity (logo) are trademarks. Crompton is a trademark of Crompton Parkinson and is used under a licence. Other logos, product and/or company names might be trademarks of their respective owners. While TE has made every reasonable effort to ensure the accuracy of the information in this brochure, TE does not guarantee that it is error-free, nor does TE make any other representation, warranty or guarantee that the information is accurate, correct, reliable or current. TE reserves the right to make any adjustments to the information contained herein at any time without notice. TE expressly disclaims all implied warranties regarding the information contained herein, including, but not limited to, any implied warranties of merchantability or fitness for a particular purpose. The dimensions in this catalogue are for reference purposes only and are subject to change without notice. Specifications are subject to change without notice. Consult TE for the latest dimensions and design specifications.



Project 2261. Drawing No. CI-3L00802 Rev.02